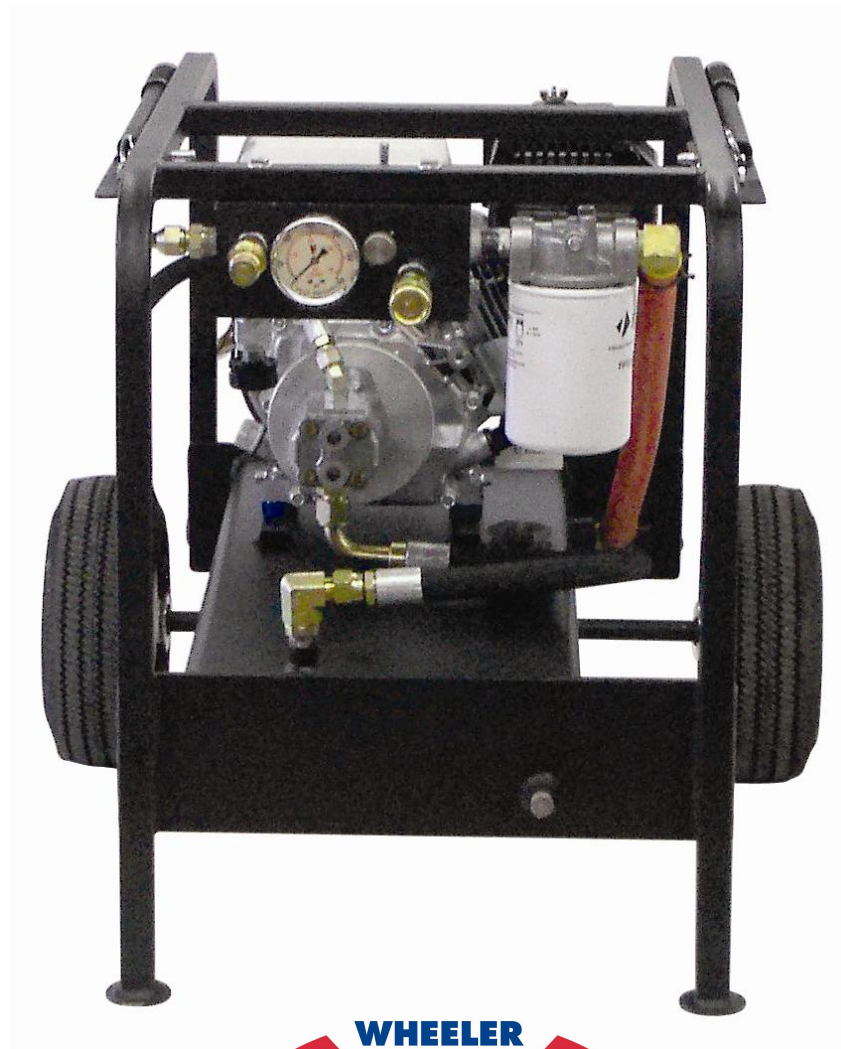


Power Pack

Operation & Service Manual



Wheeler-Rex
Ashtabula, Ohio
Tel: 800-321-7950
Fax: 440-992-2925
wheeler@wheelerrex.com
www.wheelerrex.com

Operating the Power Pack

1. Remove pipe plug from the hydraulic tank and replace with breather cap supplied with Power Pack. The Power Pack is shipped with this plug to keep the hydraulic oil from spilling. The Power Pack will not meet its peak performance if the shipping plug has not been removed.

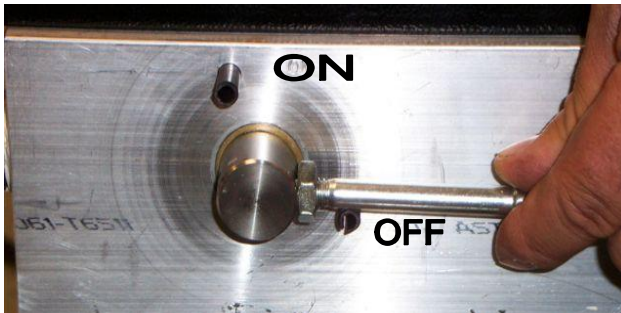


Pipe Plug

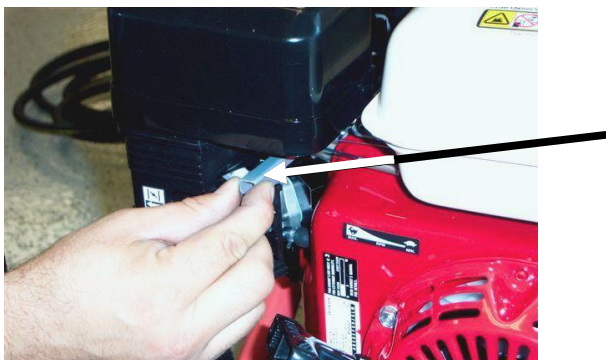


Breather Cap

2. Make sure to check the motor oil level and gas prior to starting.
3. Turn engine switch to the "ON" position.
4. Turn the gas switch to the "ON" position.
5. Turn the choke to the "ON" position.
6. Make sure the manifold is in the "OFF" position. Lever should be horizontal. Power Pack will not start with the valve in the "ON" position.

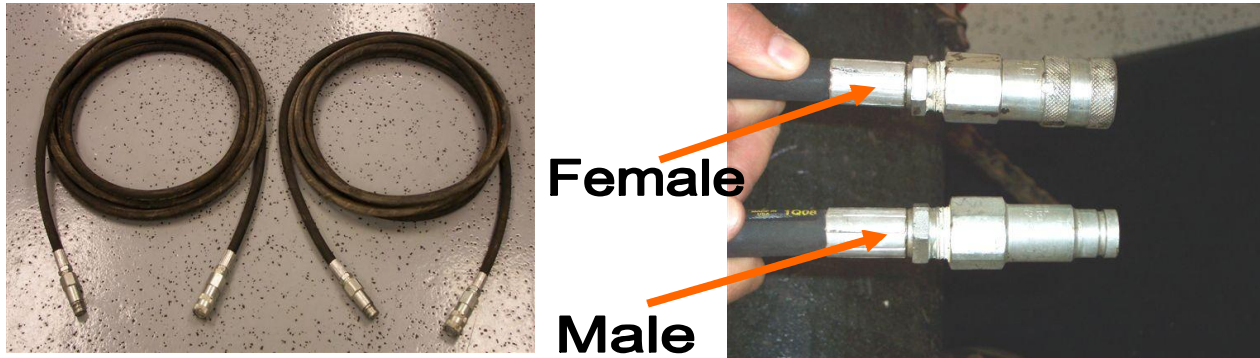


7. Start the engine, let it warm up for One (1) to Two (2) minutes, then set the throttle to the "Fast" position.



Connecting the Power Pack to the Hydraulic Tools

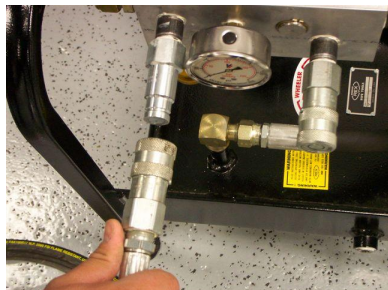
1. There are two 20 foot hose assemblies complete with quick disconnects (one end male and one end female) that are shipped with the Power Pack.



2. The Power Pack is also equipped with a manifold where the hydraulic quick disconnects (one male and one female) are located.



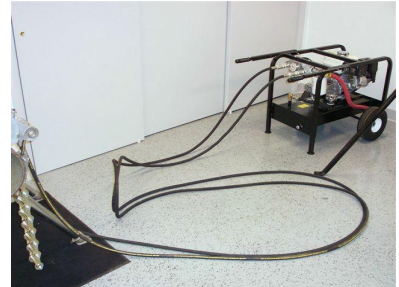
3. Connect the hydraulic lines between the Power Pack



Lines being attached to the Power Pack



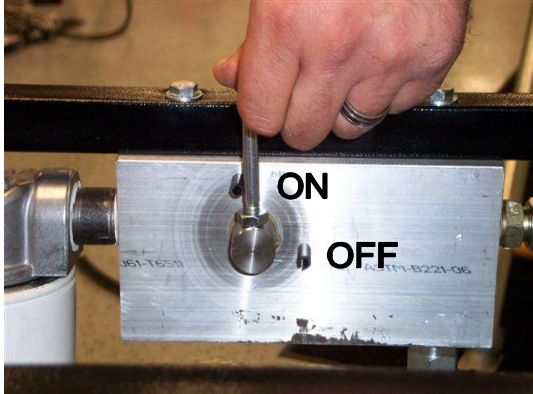
Lines attached to the hydraulic tool



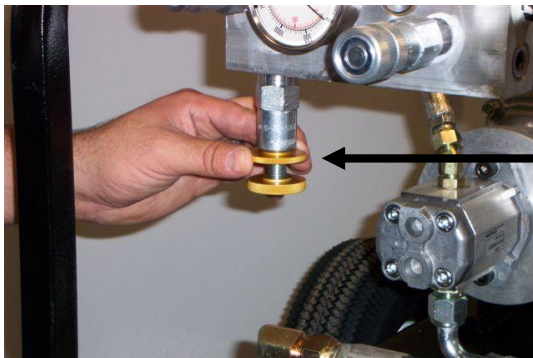
Lines attached between Power Pack and tool.

Applying Hydraulic Power

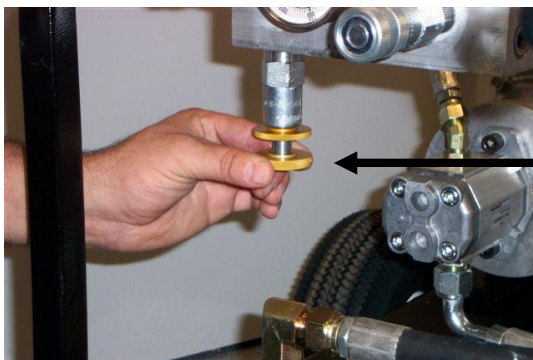
1. Turn the hydraulic manifold to the “ON” (vertical) position. This is the “ON / OFF” lever for the hydraulic fluid. It is now directed through the Pressure Relieve Valve and to your tool.



2. Pressure can now be adjusted with the Relief Valve Screw.
3. Loosen jam nut.



4. Turn relief screw (tighten (clockwise) to increase pressure, and loosen (counterclockwise) to lower pressure).



5. Tighten jam nut at desired pressure.

Maintenance

Power Pack

- Check engine crankcase for proper oil level before each use. Use and change oil as recommended by the manufacturer.
- Check air filter as recommended by manufacturer.
- Change hydraulic oil filter after the first 25 hours of use. Then change every 50 hours or annually after that.
- Replace the hydraulic oil after every 100 hours of use.
- Use 3 gallons of 10W Hydraulic Oil. (Part #3804 One Gallon of Hydroyl)
- Check hydraulic hoses for wear before and after use and replace worn and abraded hose immediately.

Troubleshooting

Power Pack

Problem

Hydraulic tool operating in wrong direction

Solution

- Hydraulic lines need to be switched on hydraulic tool.

Hydraulic tool not working

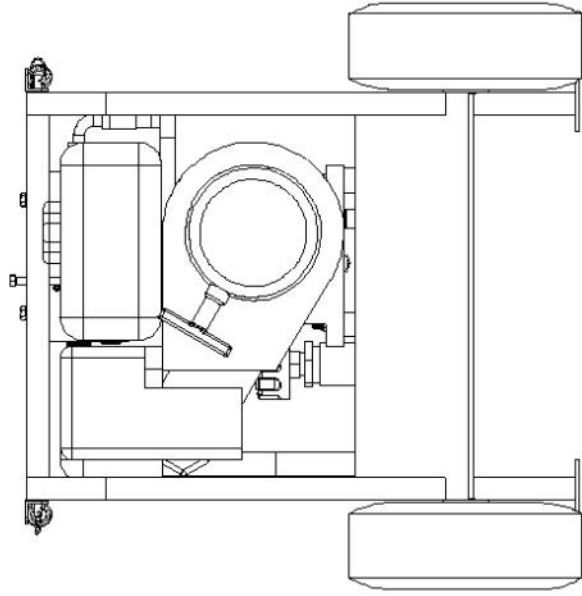
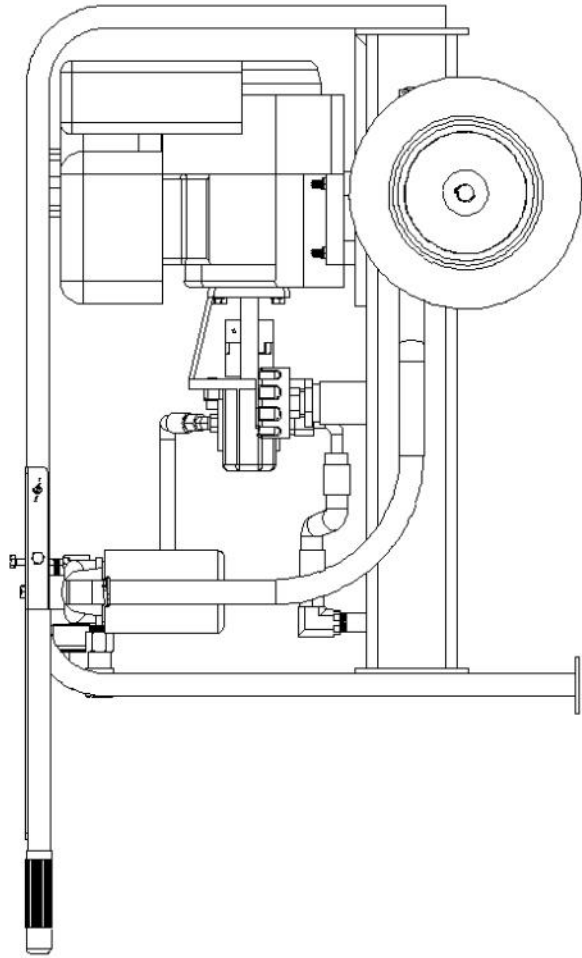
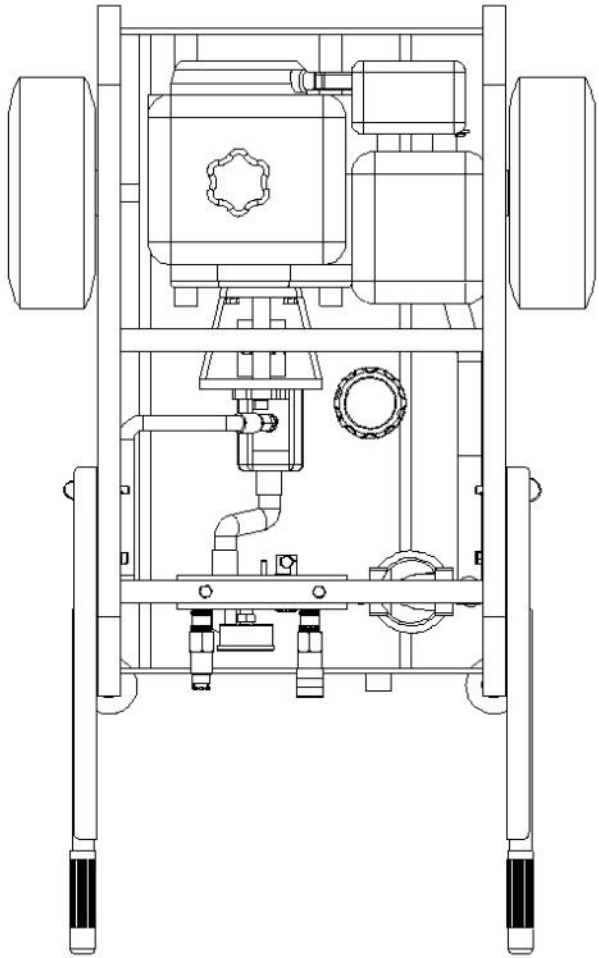
- Check to see if manifold has been turned to the "ON" position.
- Check hydraulic fluid level
- Check to see if hydraulic pump is turning.

Accessories

276288 Flat Face male quick disconnect

276289 Flat Face female quick disconnect

700821 20 foot hydraulic hose assembly with
male & female flat face quick disconnects

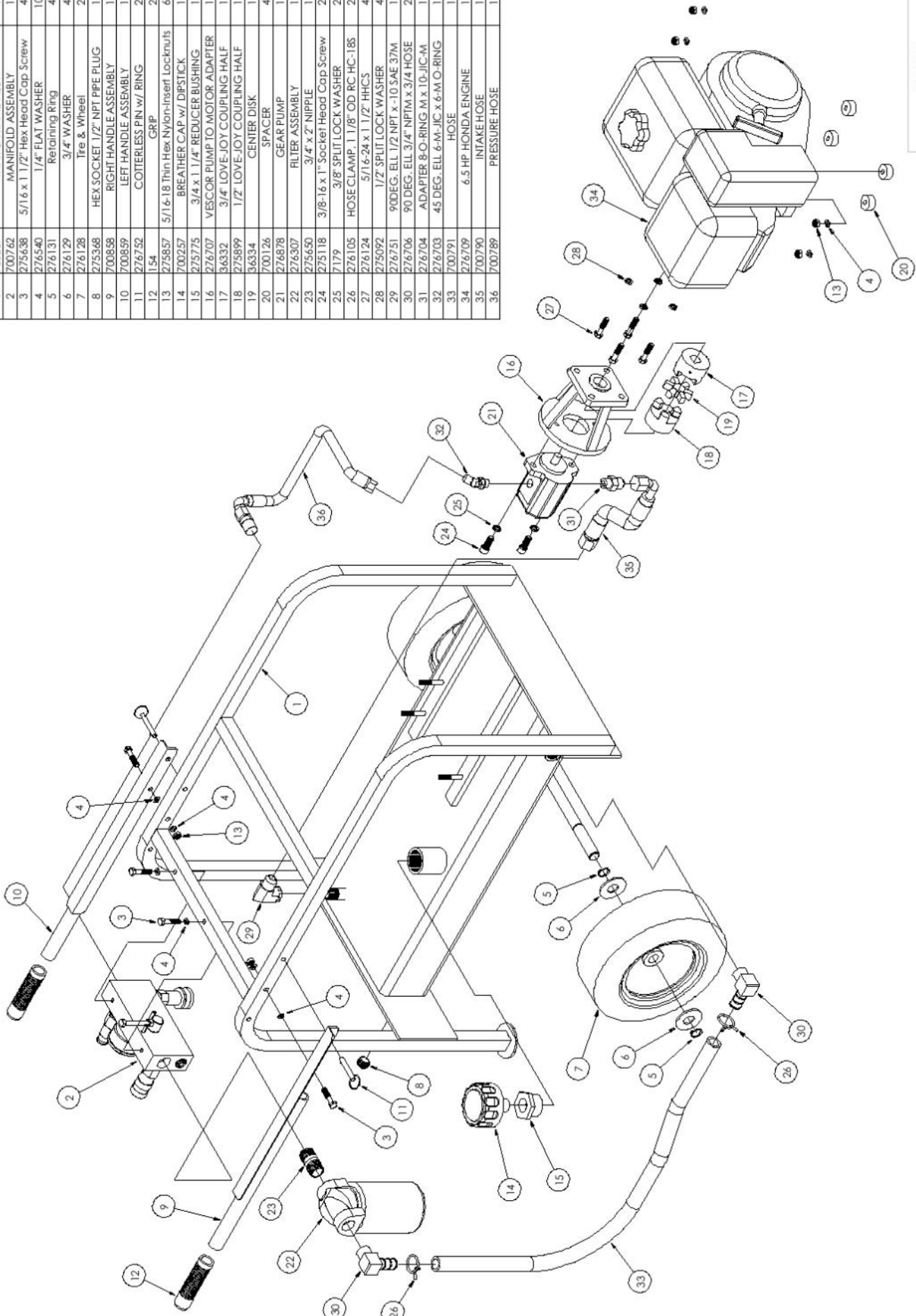


3744 Jefferson Rd., Ahtla, OH 44005

DESCRIPTION: HYDRAULIC POWER PACK

PART NO. 6500

ITEM NO.	PART NUMBER	DESCRIPTION	QTY.
1	700837	TANK & FRAME ASSEMBLY	1
2	700762	MANIFOLD ASSEMBLY	1
3	275638	5/16 x 1 1/2" Hex Head Cap Screw	4
4	276540	1/4" FLAT WASHER	10
5	276131	Retaining Ring	4
6	276129	3/4" WASHER	4
7	276128	Tire & Wheel	2
8	275368	HEX SOCKET 1/2" NPT PIPE PLUG	1
9	700858	RIGHT HANDLE ASSEMBLY	1
10	700859	LEFT HANDLE ASSEMBLY	1
11	276752	COTTERLESS PIN w/ RING	2
12	154	GRIP	2
13	275857	5/16-18 Thin Hex Nylon-Insert Locknuts	6
14	700257	BREATHER CAP w/ DIPSTICK	1
15	275775	3/4 x 1 1/4" REDUCER BUSHING	1
16	276707	VESCOR PUMP TO MOTOR ADAPTER	1
17	36332	3/4" LOVE-JOY COUPLING HALF	1
18	275899	1/2" LOVE-JOY COUPLING HALF	1
19	36334	CENTER DISK	1
20	700126	SPACER	4
21	276678	GEAR PUMP	1
22	276307	FILTER ASSEMBLY	1
23	275650	3/4" x 2" NIPPLE	1
24	275118	3/8-16 x 1" Socket Head Cap Screw	2
25	7179	3/8" SPLIT LOCK WASHER	2
26	276105	HOSE CLAMP, 1 1/8" OD RC HC-18S	2
27	276124	5/16-24 x 1 1/2" HHCS	4
28	275092	1/2" SPLIT LOCK WASHER	4
29	276751	90DEG. ELL 1/2 NPT x -10 SAE 37M	1
30	276706	90 DEG. ELL 3/4" NPTM x 3/4 HOSE	2
31	276704	ADAPTER 8-O-RING M X 10-JIC-M	1
32	276703	45 DEG. ELL 6-M-JIC x 6-M-O-RING HOSE	1
33	700791	6.5 HP HONDA ENGINE	1
34	276709	INTAKE HOSE	1
35	700790	PRESSURE HOSE	1
36	700789	PRESSURE HOSE	1



WHEELER
REX
 3744 Jefferson Rd., Ashland, OH 44805
 DESCRIPTION:
 HYDRAULIC POWER PACK
 PART NO. **6500**